



## ELLIPSE 4G

### LTE Single-Band Small Micro Cell eNodeB

Ellipse-4G is an all-outdoor, compact, ruggedized, single band eNodeB. The Ellipse-4G is designed to 3GPP specifications supporting full mobility and fixed user-equipment.

#### FEATURES AND BENEFITS

- All-outdoor hardened design eliminates the need for additional rack or cabinet space.
- Leverages reliable, proven Texas Instruments® base technology.
- LTE standards-based allowing a wide selection of remote devices supporting data, video, VoLTE and full mobility.
- Low power consumption allows for off-grid deployment.
- Easy to deploy with single cable PoE, integrated GPS receiver

#### PRODUCT COMPLEMENTS

The Ellipse-4G eNodeB interoperates with a variety of EPC's and UE's. Redline also offers a complete selection of antennas and peripherals including professional services for all your deployment needs.

#### UNIFIED GLOBAL SOLUTIONS

Redline's iLTE™ technology provides a truly unified wireless networking solution—across the spectrum, across your company and across the globe—enabling secure, reliable, high-speed connectivity to people and smart devices everywhere.



#### SYSTEM AT A GLANCE

3GPP Wide Area BS eNodeB

2x2 MIMO

Digital Pre-distortion Transmitters

FDD or TDD Band Classes

Ruggedized for outdoor harsh environments

Compact form factor and light weight

Power-over-Ethernet; Low power requirement

Hazardous location ready

Wide selection of MIMO antennas

Tested with many UE's & EPC's

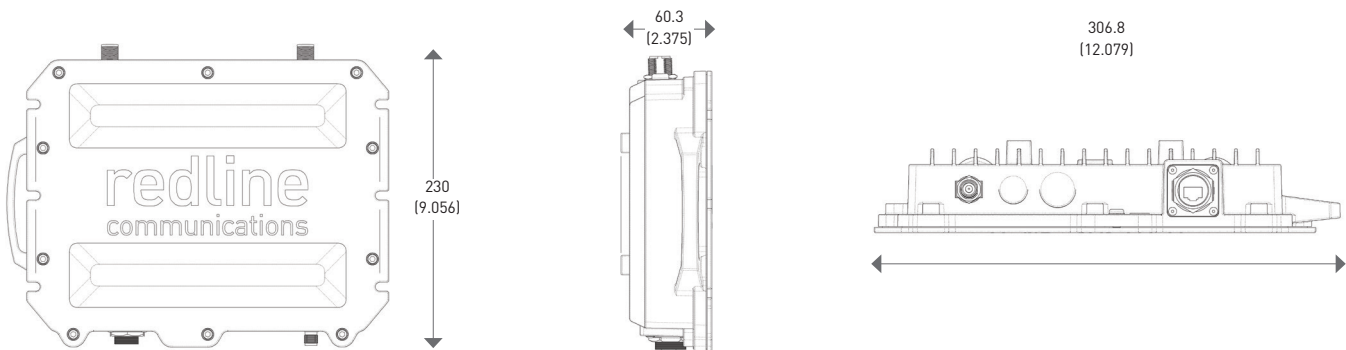
## RDL-6000 L1 ELLIPSE 4G SPECIFICATIONS

<b>Platform Classification</b>	All outdoor Small Micro Cell eNodeB Wide Area BS
<b>Transmit Power Class</b>	>1W
<b>3GPP Release</b>	9+ (Features rolled in as required)
<b>Supported 3GPP Band Classes (Contact Redline for additional bands)</b>	700 MHz <sup>2</sup> : B12, B13, B14, B17, B28 800MHz <sup>2</sup> : B5, B20, B26 2500 MHz <sup>2</sup> : B41 3500 MHz <sup>2</sup> : B42, B43, B48
<b>Number of Active UE's</b>	128
<b>Access Scheme</b>	DL: OFDMA UL: SC-FDMA
<b>Modulation</b>	DL: QPSK, 16QAM, 64QAM UL: QPSK, 16QAM
<b>Antenna Technology</b>	DL: 2x2 MIMO UL: 1x2 SIMO
<b>Channel Size</b>	5, 10, 20 MHz
<b>Transmit Power</b>	+27 dBm Combined based on Wide Area BS defined by 3GPP
<b>Receiver Sensitivity</b>	-118 dBm based on PRB in 10 MHz for Wide Area BS defined by 3GPP
<b>Transmission Rate (max)</b>	DL: 150 Mb/s UL: 50 Mbps
<b>Data/Control/Management Interfaces</b>	Single 1000Base-T (including S1 & X2)
<b>Mobile Environment</b>	Up to 120 km/h (75 mph)
<b>Range</b>	Up to 5 km (3 miles)
<b>Environmental</b>	-40 to +60 °C (-40 to 140 °F); IP67, Nickel plated, powder coat (HazLoc future option)
<b>Surge Protection</b>	Built-in
<b>Management</b>	FlexCore-EPC; Telnet/SSH, SNMP, NetConf; Deployment Profiles
<b>Power</b>	PoE 802.3at 48 VDC <30W
<b>Timing</b>	Integrated GPS receiver & IEEE 1588
<b>Terminations</b>	RF: 2x N(f); Data: 1x RJ45; GPS: 1x TNC(f)

All specifications are subject to change without notice.

1. Initial band, others to be determined; 2. Pending

## DRAWINGS



## Compliance

3GPP: Release 9+

Safety<sup>2</sup>: IEC, EN, and UL/CSA 60950

EMC<sup>2</sup>: EN 301 489-1. EN 3-1 489-17

FCC<sup>2</sup>, ISSED<sup>2</sup>, ETSI<sup>2</sup>



## Physical Attributes

### Dimensions

306.8 x 230 x 60.3 mm (12.079 x 9.06 x 2.375 in)

### Weight

2.7 kg (6.0 lbs) without bracket or antenna)